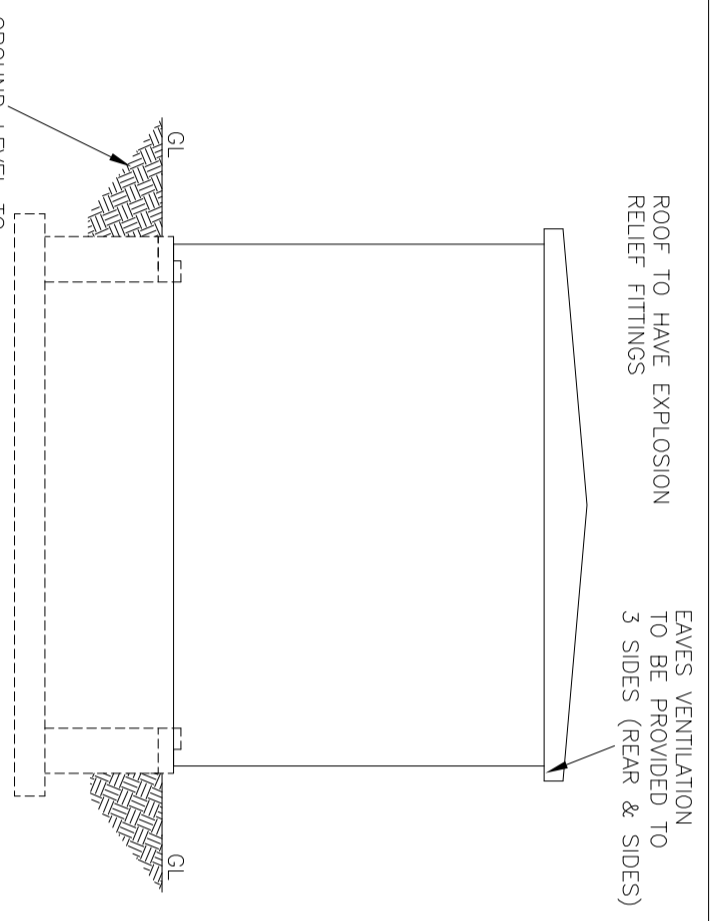
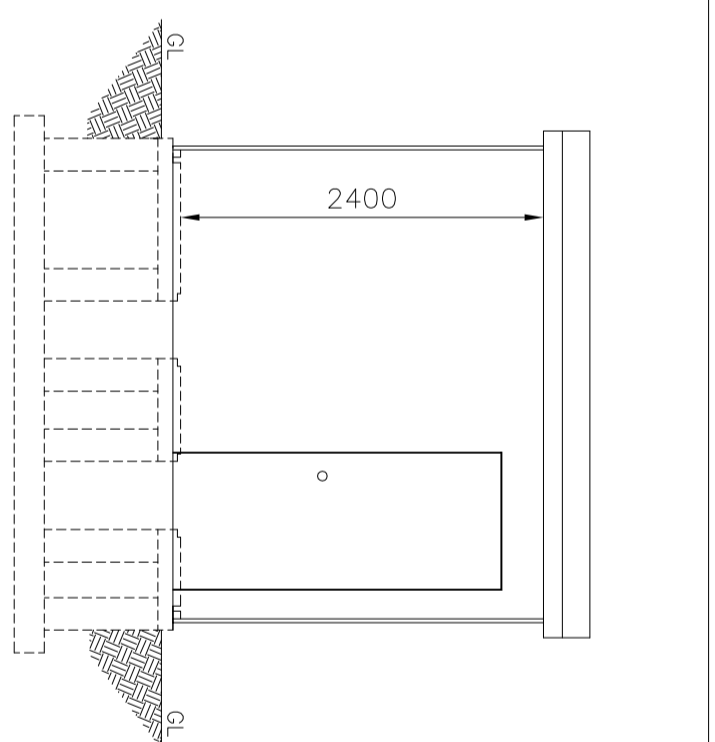


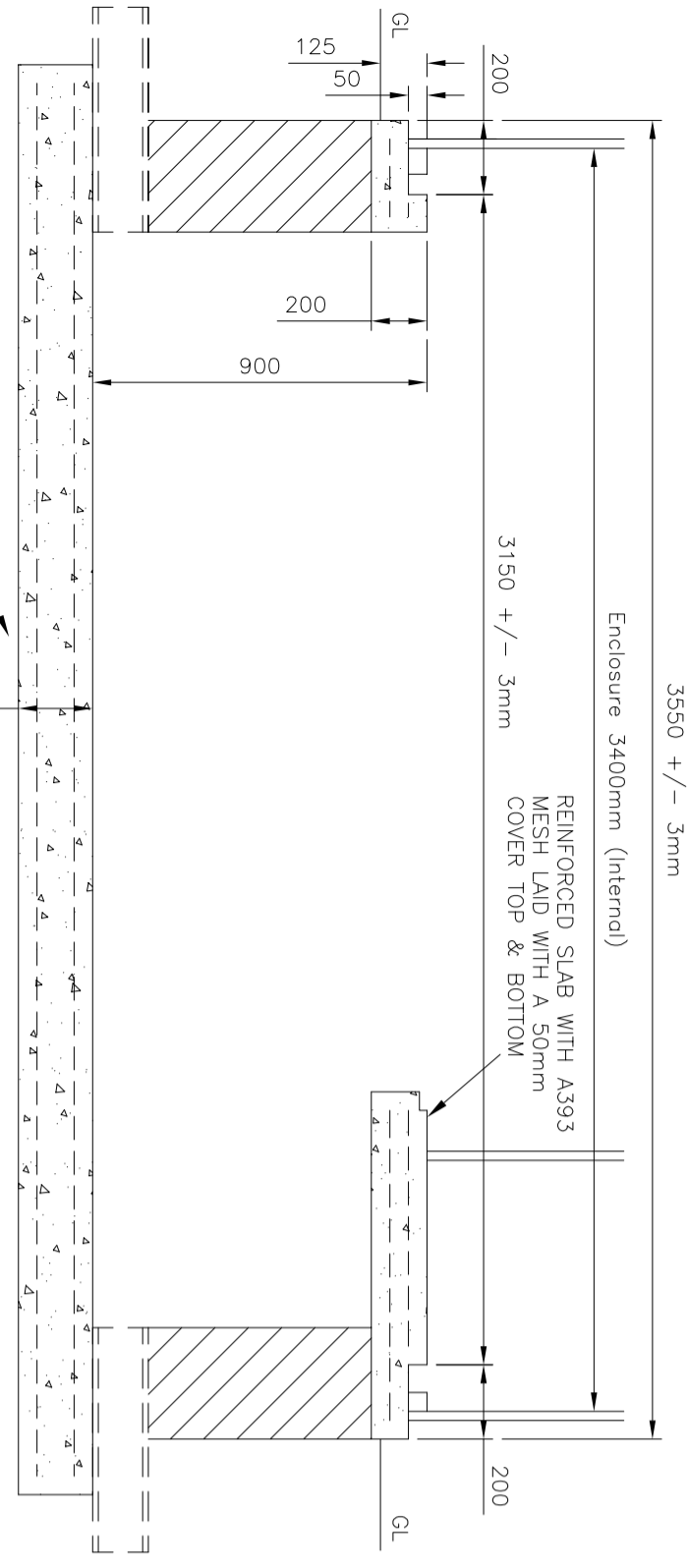
FRONT ELEVATION
SCALE 1:50



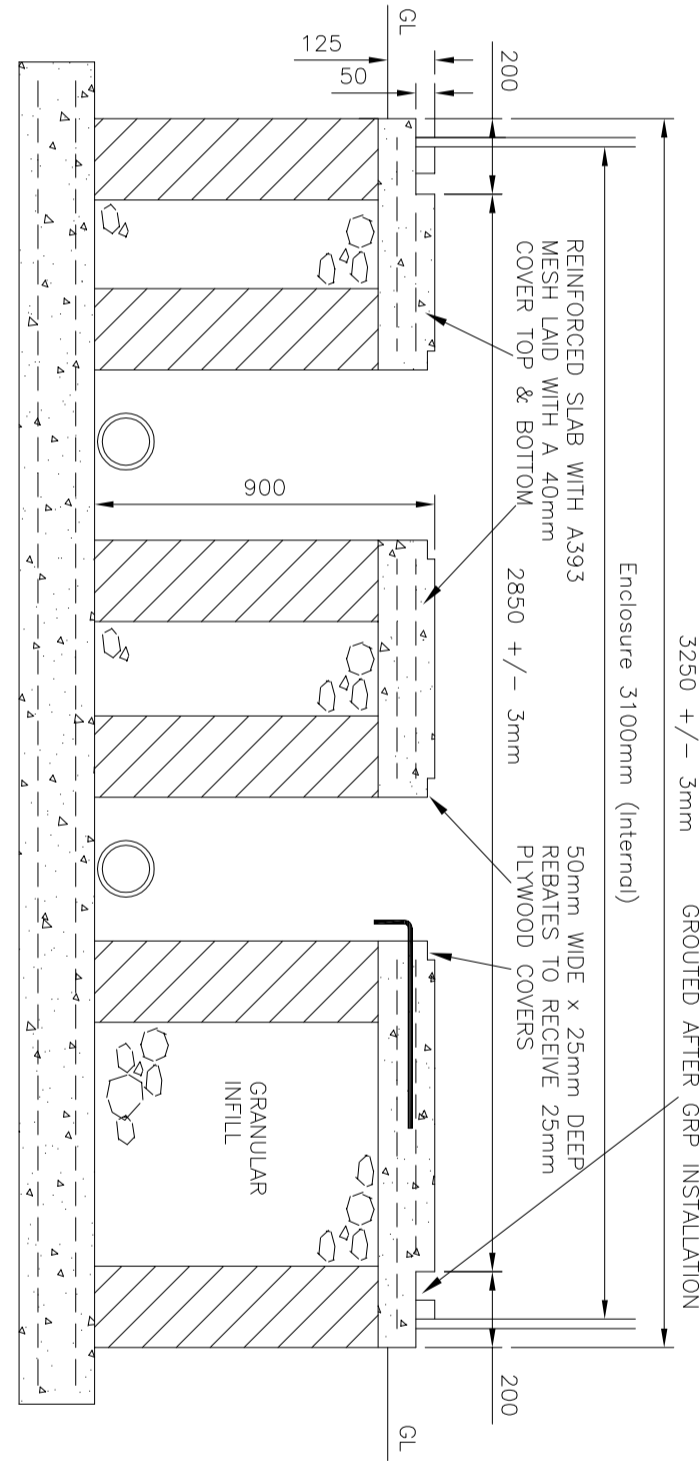
BACK ELEVATION
SCALE 1:50



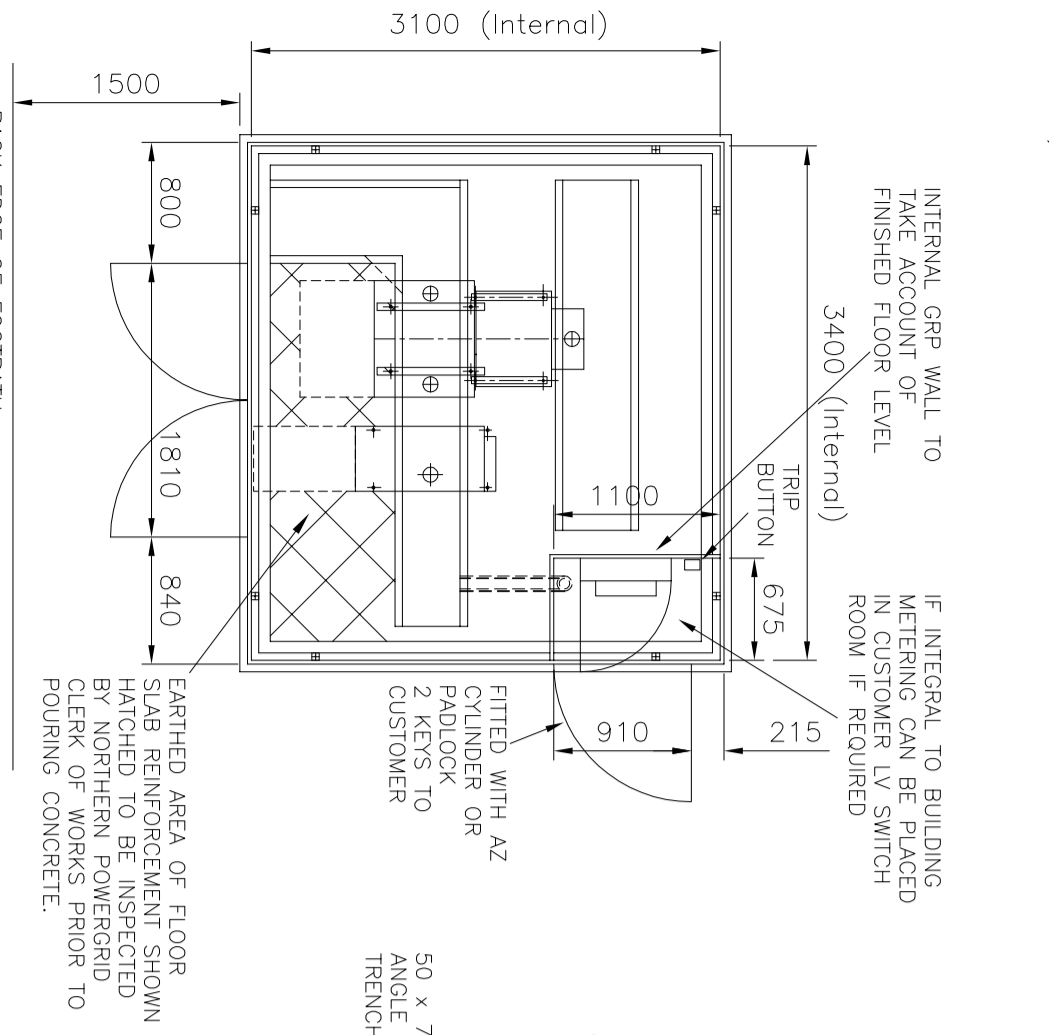
SIDE ELEVATION
SCALE 1:50



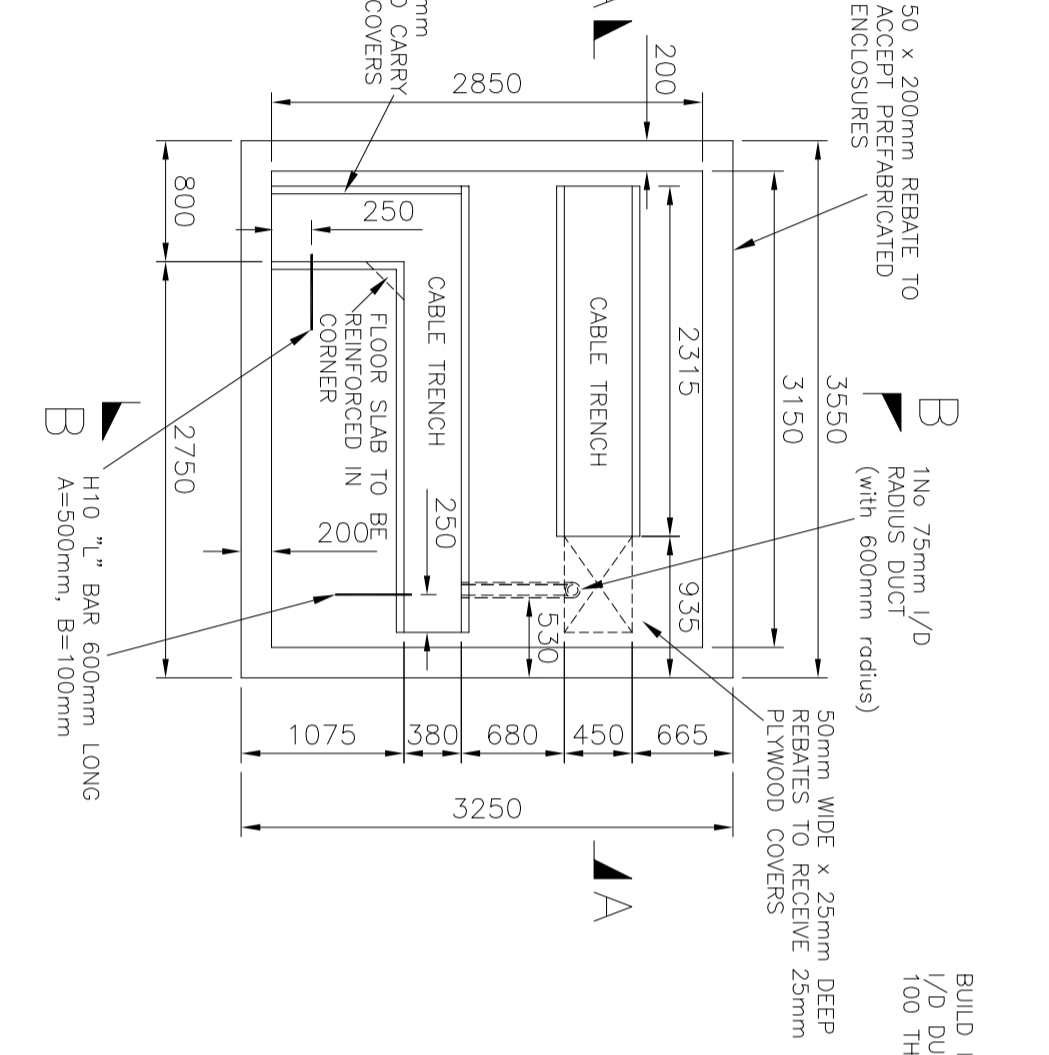
SECTION A-A
SCALE 1:20



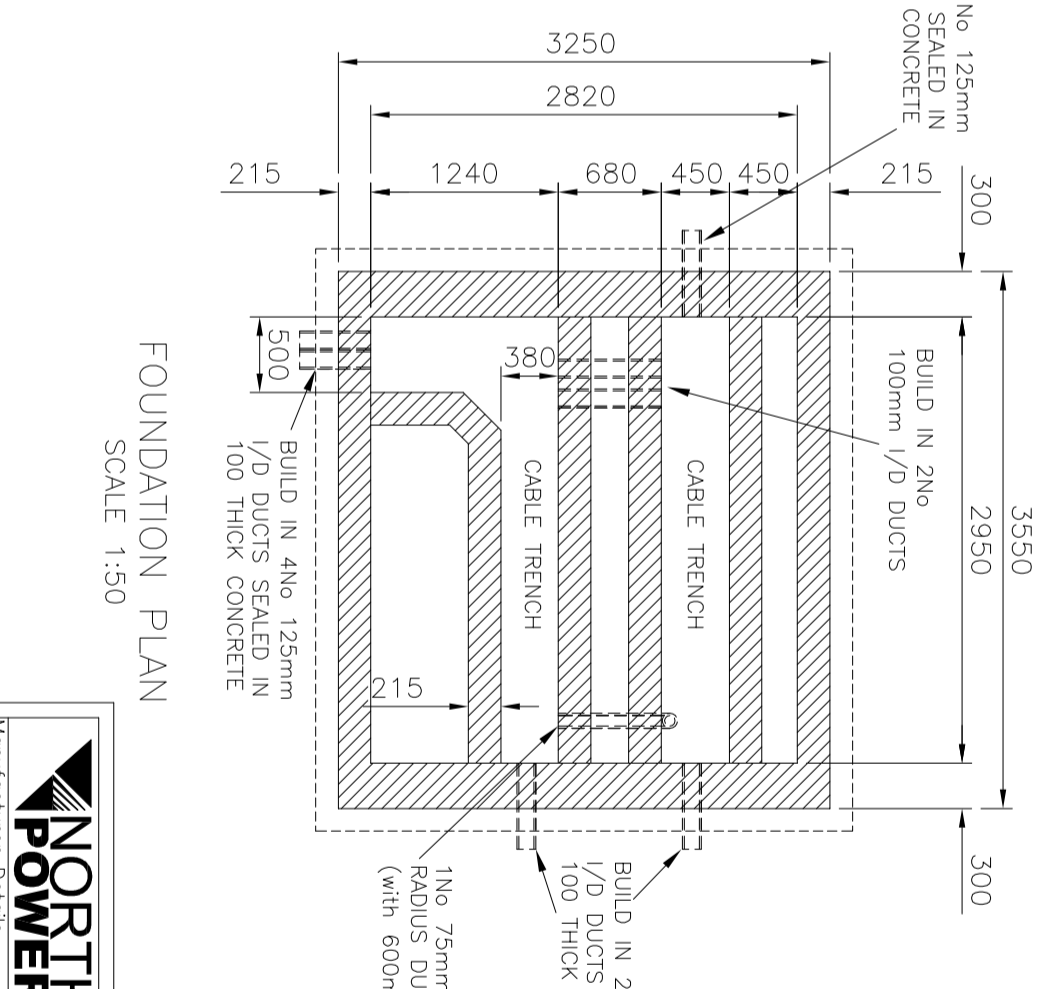
SECTION B-B
SCALE 1:20



PLAN OF EQUIPMENT & ENCLOSURE
SCALE 1:50



FLOOR PLAN
SCALE 1:50



FOUNDATION PLAN
SCALE 1:50

NOTES

- FLOOR:
1. Foundations shown are based on a maximum weight of transformer of 40kN and a minimum ground bearing pressure of 80kN/m²
 2. The foundations are to be adjusted to structural engineers instructions.
 3. Floor slab shall be designed to carry a minimum load of 7.5kN/m². Floor to be level, steel floor finish concrete, and sealed with approved concrete sealer or concrete paint before equipment installation.
 4. Earthed area of floor slab reinforcement shown hatched (see PLAN OF EQUIPMENT & ENCLOSURE) to be inspected by Northern Powergrid clerk of works prior to pouring concrete.
 5. Floor to be cast to front face of door opening, providing solid threshold. External level to be 125mm below finished floor level, allow unrestricted access for gear, and have a level landing area.
 6. Trench covers to be 25mm exterior quality WBP ply, maximum width 1200mm, each cover to have 2 No. 35mm diameter finger holes, covers to be painted two coats silver gloss paint both sides and all edges
 7. External paving and site finishes shall be provided as agreed with Northern Powergrid representative on site. As a minimum this shall consist of paving to full width of substations doors x 1200mm deep, with paving linking nearest highway path
- Care is to be taken to ensure that access to cable openings is not impaired.
- No Gas, Sanitary, Water or other Services to run through or under the substation.
- Substation doors to be set back a minimum of 1500mm from back edge of footpath. Any proposed reduction in this clearance to be approved by Northern Powergrid following submission of site specific risk assessment and operational method statement.

REFERENCE DRAWINGS :

- C978643 - Earth Point Connection Details
- C1010061 Rev C - Internal Power & Lighting for 11kV HV RMMU with Optional Switch

CUSTOMER NOTES

The customer to carry out all necessary lighting and heating installation and building work as described including the provision of the LV supply. The substation shall be wired independently of any other areas or customers accommodation.

Northern Powergrid will not install any equipment until the accommodation is deemed fit for purpose. Customer service will not be made live until completion certificate is issued.

Customer or their agent to obtain all necessary Planning and Building approvals before construction work commences.

This drawing is intended to indicate the minimum requirements for the installation of Northern Powergrid apparatus and is not in any way intended to describe the building to architectural, structural or other requirements.

The customer shall provide full construction drawings minimum 15 days prior to commencement of works, to allow Northern Powergrid to check for compliance with their requirements.

Substation to be designed in accordance with Northern Powergrid flood mitigation policy.

Northern Powergrid Project Engineer to be notified of commencement of site works to enable site inspections to be carried out during construction.



Lloyds Court, 78 Grey Street, Newcastle Upon Tyne, NE1 6AF

Manufacturer Details		Document Details	
Sheet No. 1	Scale AS SHOWN	Ref No. C993726	Historic Drawing No.
Prepared By TM	Grid Reference	STANDARD DISTRIBUTION SUBSTATION DRAWING	
Revised	Checked By JU	11kV RMMU WITH OPTIONAL EXTENSIBLE SWITCH IN PREFABRICATED ENCLOSURE	
Date Issued 17.05.16	Revision C	Notes	

FOR INTERNAL POWER AND LIGHTING SPECIFICATIONS SEE DRAWING C1010061 Rev C

INTERNAL CUBIC CAPACITY - 25.3m³